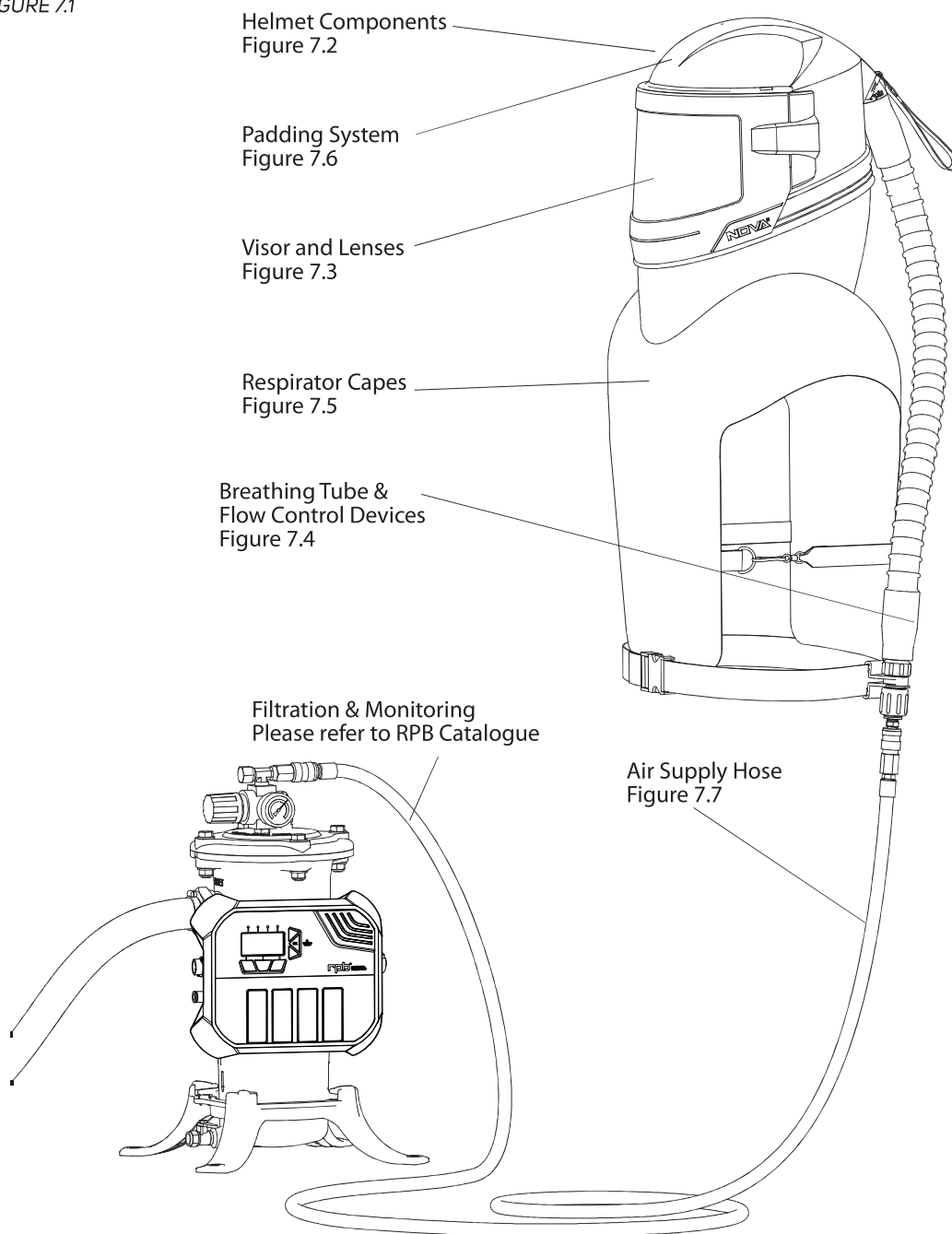


## PARTS AND ACCESSORIES

FIGURE 7.1

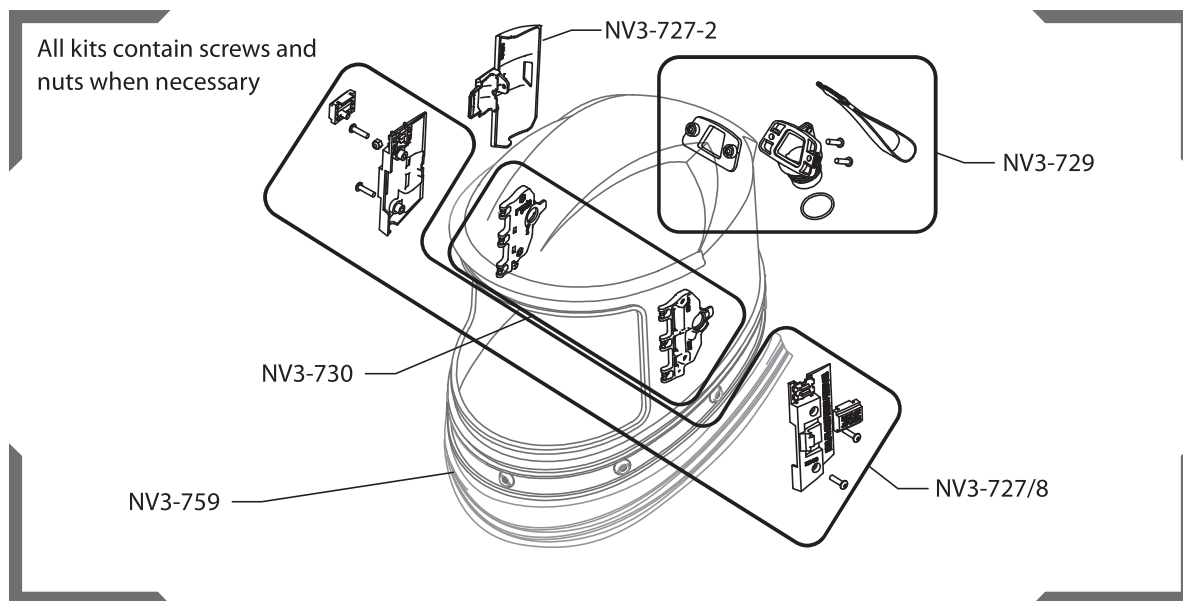


### **⚠ WARNING**

**Use only exact, authentic RPB® replacement parts (marked with the RPB® logo and part number), and only in the specified configuration. Using incomplete or inappropriate equipment, including the use of counterfeit or non-RPB® parts, can result in inadequate protection and will void the approval of the entire respirator assembly.**

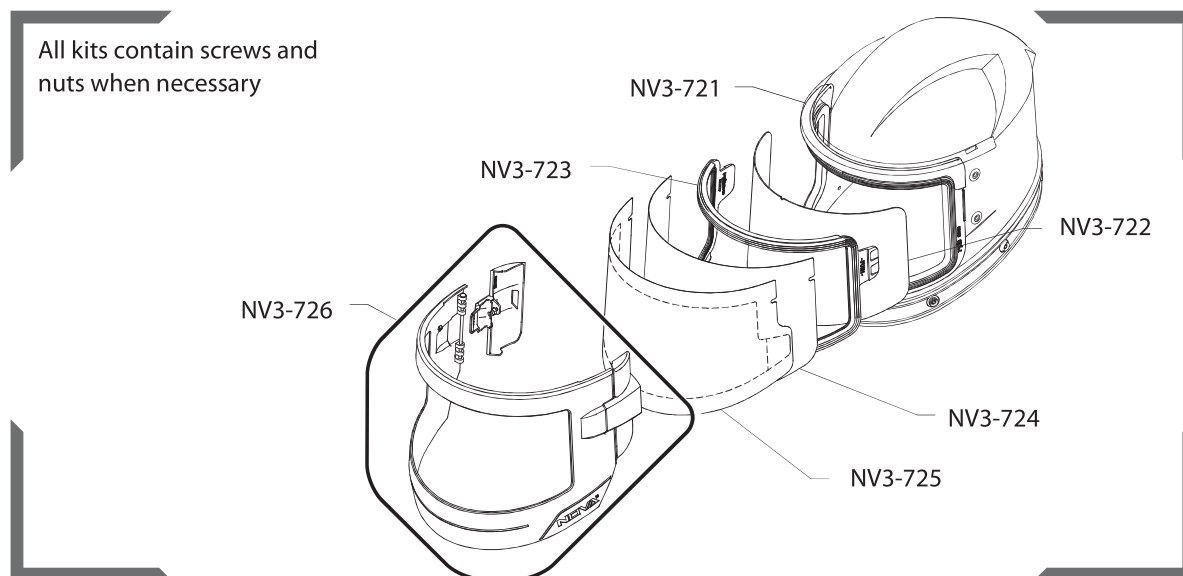
## PARTS AND ACCESSORIES CONTINUED

### HELMET COMPONENTS *FIGURE 7.2*



- NV3-727-2 Visor Hinge Lock
- NV3-727/8 Visor Latch Mount Kit - Includes: Latch Mount, Hinge Mount, Covers
- NV3-729 Air Inlet Kit - Includes: Air Inlet, O-Ring, Back Plate, Hanging Strap
- NV3-730 Padding Connectors (left & right)
- NV3-759 Cape Coverband

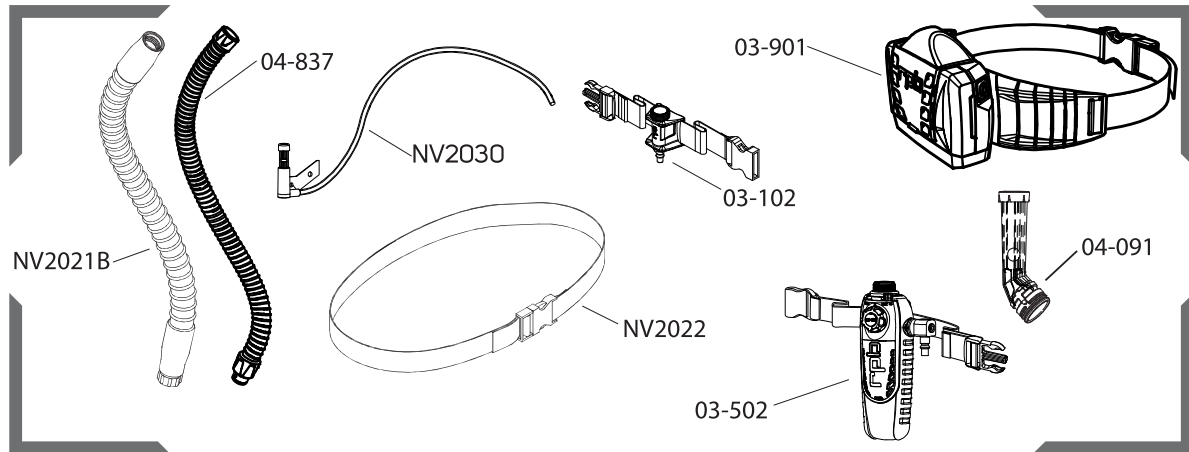
### VISOR AND LENSES *FIGURE 7.3*



- NV3-721 Inner Gasket
- NV3-722 Inner Lens pk 10
- NV3-723 Inner Lens Frame
- NV3-724 Outer Lens pk 50
- NV3-725 Tear Off Lens pk 50
- NV3-726 Visor Kit - Includes: Visor with Hinge Pin and Latch, Hinge Lock

**BREATHING TUBE & FLOW CONTROL DEVICE**

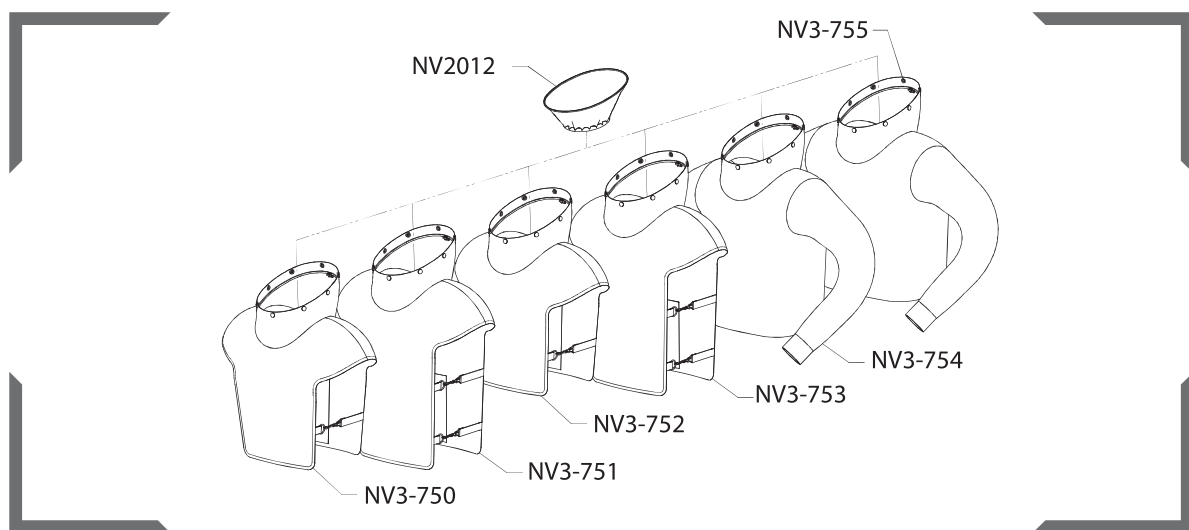
FIGURE 7.4



- NV2021B Breathing Tube (dark grey) for SAR
- NV2022 Belt
- 03-102 Constant Flow Valve Assembly - Includes: Constant Flow Valve, Belt
- 03-502 C40™ Climate Control Device - Includes: C40™, Belt
- 03-901 PX4 AIR® PAPR and Belt
- 04-091 PX4 AIR® Flow Tester
- 04-837 Breathing Tube for PAPR
- NV2030 Low Flow Indicator

**RESPIRATOR CAPES**

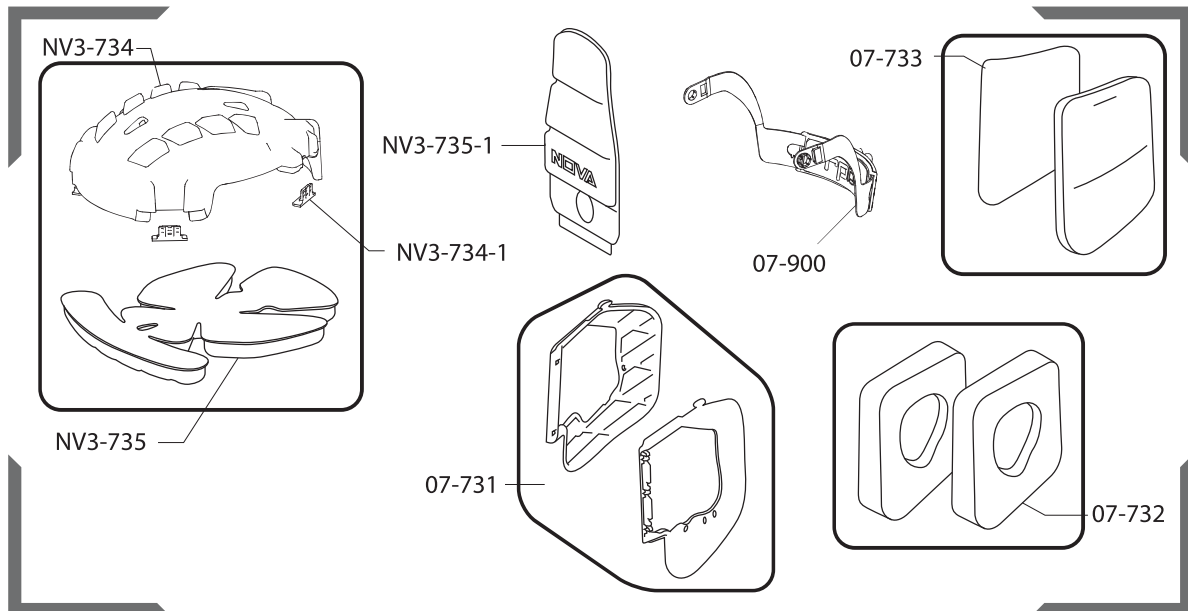
FIGURE 7.5



- NV3-750 28" Nylon Cape
- NV3-751 38" Nylon Cape
- NV3-752 28" Leather Cape
- NV3-753 38" Leather Cape
- NV3-754 Blast Jacket Size XL
- NV3-755 Blast Jacket Size XXL
- NV2012 Inner Bib

## PARTS AND ACCESSORIES CONTINUED

### PADDING SYSTEMS FIGURE 7.6




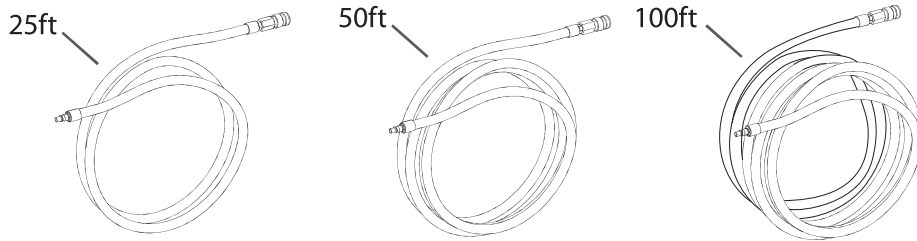
- NV3-731 Side Padding Frames (left & right)
- NV3-732-XXX Side Padding Foam Pads pk 5 pairs (A10 Thin - A15 Medium - A20 Thick) \*\*
- NV3-734 Head Liner Kit - Includes: Head Liner, Head Liner Foam Padding, Head Liner Clips x4
- NV3-734-1 Head Liner Clips, pack of 4
- NV3-735 Head Liner Padding
- NV3-735-1 Neck Pad
- 07-900 Adjustable Head Support

\*\* Note that the A10 is for larger head sizes and the A20 is for smaller head sizes.

**AIR SUPPLY HOSES**

FIGURE 7.7

Series	1. Couplers	2. Plugs	3. Breathing Air Line Assemblies
RPB Quick Disconnect	03-022-CF 		04-322-25 RPB 7.5m 04-322-50 RPB 15m 04-322-100 RPB 30m



As detailed in column 3 of Figure 7.7